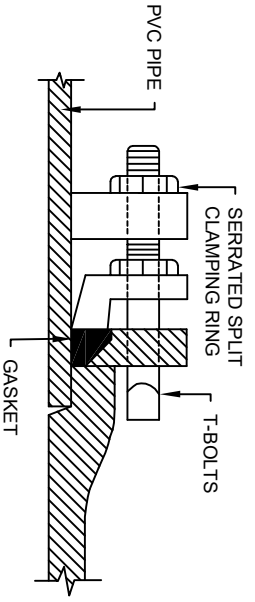
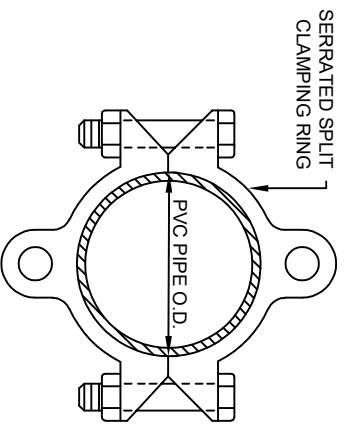
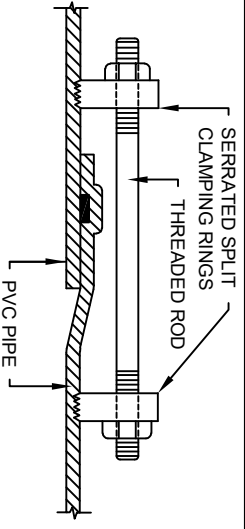


**FLANGE JOINT UNI-FLANGE SERIES 900 RESTRAINER  
OR APPROVED EQUIVALENT 100mm TO 300mm**



**MECHANICAL JOINT UNI-FLANGE SERIES 1300 RESTRAINER OR  
APPROVED EQUIVALENT 100mm TO 400mm**

- NOTES:**
1. ALL BOLTS AND NUTS SHALL BE CORE-TEN STEEL OR EQUIVALENT.
  2. REFER TO STANDARD DETAIL DRAWING CKL-104 FOR LENGTH OF JOINTS TO BE RESTRAINED.
  3. ANY CONNECTION TO OTHER FLANGED PIPE REQUIRES AN ADDITIONAL RESTRAINER TO THE PVC PIPE.
  4. ALL JOINTS SHALL BE RESTRAINED IN ENGINEERED FILL APPLICATIONS.



**BELL JOINT UNI-FLANGE SERIES 1350  
RESTRAINER OR APPROVED  
EQUIVALENT 100mm TO 400mm**

**RESTRAINED JOINT DETAIL  
FOR PVC PIPE**

NO.	REVISED	COMMENTS	BY	DATE	APPROVED BY	APPROVED DATE
1		NOTES AND TITLE BLOCK UPDATE	BC	28/04/23		

CITY OF KAWARTHA LAKES  
ENGINEERING AND  
CORPORATE ASSETS  
322 KENT ST. W. BOX 9000, LINDSAY ON, K0V 4T7, (705) 324-2411  
DRAWN BY: AM  
CHECKED BY:  
DATE: 28/7/23  
APPROVED BY: CS  
DATE: 28/7/23



CONTRACT NO:  
SCALE: N.T.S.  
PAGE 1 OF 1  
DRAWING NO.  
CKL - 111